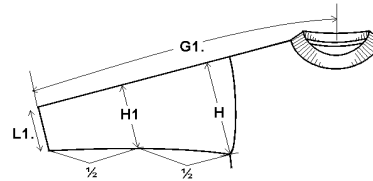
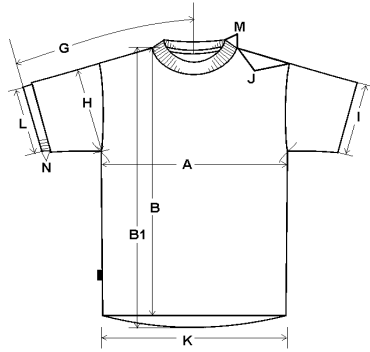




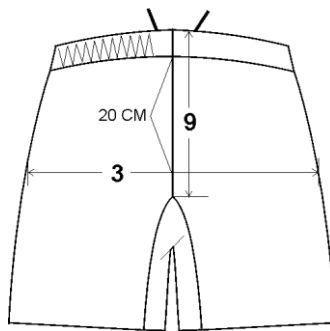
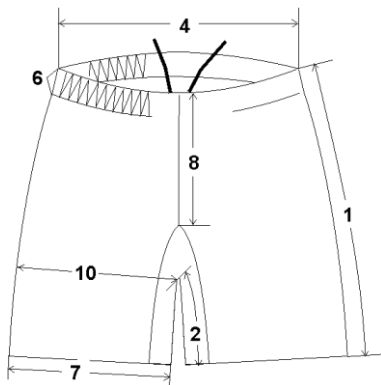
Dirty Disc Gear Male Jersey Sizing Chart 2016

All Sizing in 'in'

Shirt Sizing			SB	MB	LB	XLB	XXS	XS	S	M	L	XL	XXL	3XL	4XL
A.	Chest flat	3 cm below armhole	14.75	15.75	16.75	17.75	18.25	19	20	20.75	21.5	22.5	23.5	24.25	25
B.	Body length	neck point - hem	21.75	22.75	24	25.25	27.25	28	28.75	29.5	30.25	31	31.5	32	32.25
B1.	Body length at back	neck point - hem	22.75	23.75	25.25	26.5	28	28.75	29.5	30.25	31	32	32.25	32.75	33
C.	Back neck width	straight, neck point - neck point	7.25	7.5	7.5	7.75	7.75	7.75	8	8.25	8.5	8.5	8.75	8.75	8.75
D.	Neck drop round neck, front	neck point - neck bottom on cf	3.75	3.75	3.75	4	4	4.25	4.25	4.25	4.5	4.5	4.75	4.75	4.75
D1.	Neck drop V-neck, front	neck point - neck bottom on cf	3.25	3.25	3.25	3.5	3.75	4	4	4.25	4.25	4.25	4.5	4.5	4.5
E.	Neck drop, back	neck point - neck bottom on cb	0.5	0.5	0.5	0.5	1	1	1	1	1	1	1	1	1
G.	Shoulder & top sleeve, SHORT	center back - sleeve end	12.75	13.75	14.75	16	16.5	17.25	17.75	18.25	19	19.25	19.25	19.5	19.5
G1.	Shoulder & top sleeve, LONG w. binding	center back - neck point - sleeve end	24.5	26.5	28.25	30	33	33.75	34.25	34.75	35.5	35.75	35.75	36	36
G2.	Shoulder & top sleeve, LONG w. cuff rib	center back - neck point - sleeve end	24.75	26.75	28.75	30.5	33.75	34.25	34.75	35.5	36	36.25	36.5	36.5	36.5
H.	Sleeve at widest	flat width	7	7	7.25	7.5	8.25	8.5	8.75	8.75	9	9.25	9.5	9.75	9.75
H1.	LONG sleeve at elbow	flat width at 1/2 under sleeve length	5	5	5.25	5.5	5.75	6	6.25	6.5	6.75	7	7	7.25	7.25
I.	SHORT sleeve opening, straight	flat width	5	5.25	5.5	5.75	6.25	6.5	6.75	7	7	7.25	7.5	7.75	7.75
J.	Shoulder seam	width	4.25	4.25	4.5	4.75	5	5.25	5.5	5.75	6	6	6.25	6.75	6.75
K.	Hem	flat width	14.25	15.25	16.5	17.75	18.5	19.25	20	20.75	21.75	22.75	23.5	24.5	24.5
L.	SHORT sleeve opening w. cuff	relaxed width	5.25	5.5	5.75	6	6.5	6.75	7	7	7.25	7.5	7.75	7.75	7.75
L1.	LONG sleeve cuff, straight (no rib)	flat width	3.25	3.25	3.25	3.5	4	4.25	4.25	4.5	4.75	5	5	5	5
L2.	LONG sleeve cuff w. ribknit	ribknit relaxed width	2.75	2.75	3.25	3.25	3.25	3.25	3.25	3.5	3.5	3.75	3.75	4	4
M.	Neck ribknit	height	1	1	1	1	1	1	1	1	1	1	1	1	1
N.	SHORT sleeve cuff	height	1	1	1	1	1	1	1	1	1	1	1	1	1
N1.	LONG sleeve cuff	height	1.5	1.5	1.5	1.5	2	2	2	2	2	2	2	2	2



Short Sizing			XS	S	M	L	XL	XXL	3XL	4XL	5XL
1.	Outside leg, total length	including waist	19.25	20	20.75	21.5	22	22.75	23	23.25	23.25
2.	Inside leg	crotch point - hem									
3.	Hips, flat width	20 cm below waist band	19	20	21	22	23	24	25	26	27
4.	Waist, width	relaxed	12.25	13.25	14.25	15.25	16.25	17.25	18	19	20
5.	Waist, width	stretched	19	20	21	22	23	24	25	26	27
6.	Waist elastication	height	1.5	1.5	1.5	1.5	1.5	1.5	1.5	1.5	1.5
7.	Hem	flat width	9.75	10	10.5	10.75	11.5	12	12.5	13	13.25
8.	Front rise, excl. crotch panel	from crotch point, incl. Waist	9.5	9.75	10.25	10.75	11	11.5	11.75	12.25	12.5
9.	Back rise, excl. crotch panel	from crotch point, incl. Waist	12.25	12.5	13	13.5	13.75	14.25	14.5	15	15.25
10.	Crotch width	thigh at widest point	11.75	12.25	12.5	13	13.5	14.25	14.5	15	15.25

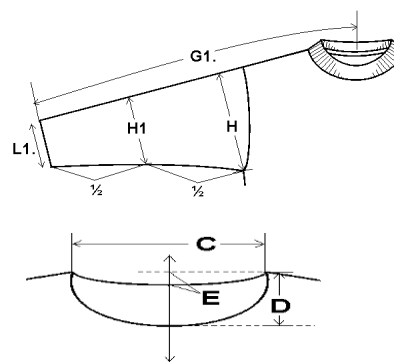
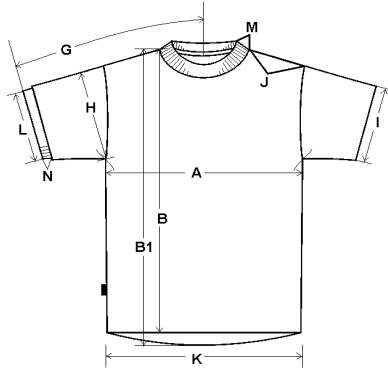




Dirty Disc Gear Female Jersey Sizing Chart 2016

All Sizing in 'in'

Shirt Sizing			SG	MG	LG	XLG	XXS	XS	S	M	L	XL	XXL
A.	Chest flat	3 cm below armhole	14.75	15.75	16.75	17.75	18	19	20	20.75	21.75	23	24
B.	Body length	neck point - hem	20.5	22	23.5	25.25	26.75	27.5	28.25	29.25	29.75	30	30.5
B1.	Body length at back	neck point - hem	21.75	23.25	24.75	26.5	27.5	28.25	29.25	30	30.5	31	31.25
C.	Back neck width	straight, neck point - neck point	7	7	7.25	7.25	7.5	7.5	7.75	7.75	7.75	7.75	8.25
D.	Neck drop round neck, front	neck point - neck bottom on cf	3.5	3.5	3.75	3.75	3.75	3.75	3.75	4	4	4	4.25
E.	Neck drop, back	neck point - neck bottom on cb	1	1	1	1	1	1	1	1.25	1.25	1.25	1.25
G.	Shoulder & top sleeve, SHORT	center back - sleeve end	13	13.75	14.5	15.25	15.75	16.25	16.5	17.25	18	18.5	19
G1.	Shoulder & top sleeve, LONG w. binding	center back - neck point - sleeve end	23.5	25.5	27.5	29.5	30.5	31.5	32.5	33.5	34.5	35.5	36.5
H.	Sleeve at widest	flat width	7.25	7.5	7.75	7.75	7.75	8.25	8.75	8.75	9	9.25	9.5
I.	SHORT sleeve opening, straight	flat width	5.25	5.5	5.75	5.75	6	6	6	6.25	6.5	6.75	7
J.	Shoulder seam	width	3.25	3.5	4	4.25	4.25	4.5	4.75	5	5.5	5.75	6
K.	Hem	flat width	15	16	17	18	19	20	21	22	23	23	23.75
L1.	LONG sleeve cuff, straight (no rib)	flat width	3.25	3.25	3.25	3.5	3.75	4	4.25	4.25	4.5	4.5	4.75
M.	Neck ribknit	height	0.5	0.5	0.5	0.5	0.5	0.5	0.5	0.5	0.5	0.5	0.5



Short Sizing			XS	S	M	L	XL	2XL
1.	Outside leg, total length	including waist	15.75	16.25	16.5	17	17.25	17.75
2.	Inside leg	crutch point - hem						
3.	Hips, flat width	20 cm below waist band	20	20.75	21.75	22.75	23.75	24.5
4.	Waist, width	relaxed	12.5	13.5	14.25	15	15.75	16.5
5.	Waist, width	stretched	20	20.75	21.75	22.75	23.75	24.75
6.	Waist elastics	height	1.5	1.5	1.5	1.5	1.5	1.5
7.	Hem	flat width	10.75	11	11.5	12	12.5	13.25
8.	Front rise, excl. crotch panel	from crotch point, incl. Waist	9	9.5	9.75	10.25	10.75	11
9.	Back rise, excl. crotch panel	from crotch point, incl. Waist	11.75	12.25	12.5	13	13.5	14.25
10.	Crotch width	thigh at widest point	12	12.5	12.75	13.25	13.75	14.25

